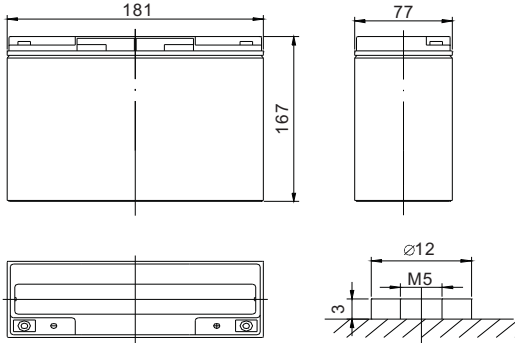


Standard Series FP12170 12V17Ah

FirstPower®

Dimension



Specification

Nominal Voltage		12 V
Capacity(20HR, 25°C)		17Ah
Dimension	Length	181mm (7.13inch)
	Width	77mm (3.03inch)
	Height	167mm (6.57inch)
	Total Height	167mm (6.57inch)
Approx. Weight		5.2kg (11.5lbs)

Characteristics

Capacity 20°C (68°F) To 1.70V/Cell	20 hour rate	17Ah
	10 hour rate	15.4Ah
	5 hour rate	13.6Ah
	1 hour rate	9.82Ah
	15 min rate	7.12Ah
Internal resistance(Fully charged, 25°C)		Approx. 17mΩ
Capacity affected by temperature (20HR)	40°C	102%
	25°C	100%
	0°C	85%
	-15°C	65%
Self-discharge (25°C)	3 month	Remaining Capacity: 91%
	6 month	Remaining Capacity: 82%
	12 month	Remaining Capacity: 65%
Nominal operating temperature		25°C ±3°C(77°F ±5°F)
Operating temperature range		-15°C~50°C(5°F~122°F)
Float charging voltage(25°C)		13.60 to 13.80V
Cyclic charging voltage(25°C)		14.50 to 14.90V
Maximum charging current		5.1A
Terminal material		Copper
Maximum discharge current		255A(5 secretary.)

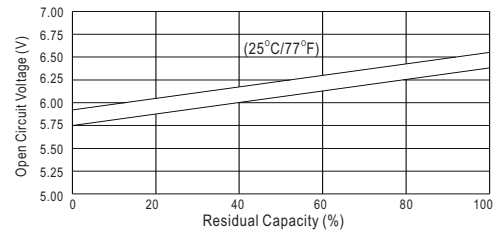
Features

- Nonspillable
- Solid Copper Terminals
- Long Service Life
- Low Self-discharge
- Absorbent glass mat technology
- Flame retardant ABS container (UL94V-0/94V-2)

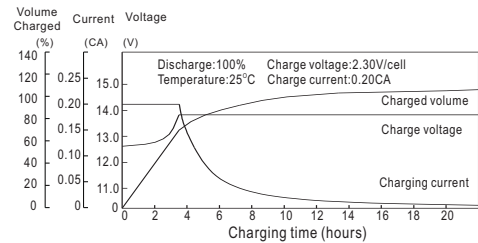
Application:

- Telecommunication equipments
- Emergency lighting
- Electronic instruments
- Fire alarm and security devices
- UPS Systems

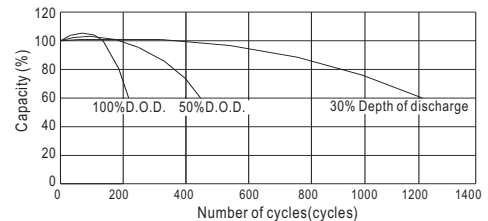
The Relationship for Open Circuit Voltage and Residual Capacity (25°C)



Charging Characteristics(25°C)



Cycle Life(25°C)



Constant Current Discharge Characteristics (A, 25°C)

F.V/TIME	5min	10min	15min	30min	60min	3h	5h	10h	20h
9.60V	59.5	37.4	29.8	17.9	10.2	4.14	2.76	1.55	0.86
10.2V	56.6	35.5	28.5	17.1	9.82	4.08	2.72	1.54	0.86
10.8V	53.2	33.4	27.1	16.2	9.30	4.00	2.66	1.53	0.85

Constant Power Discharge Characteristics (Watt, 25°C)

	5min	10min	15min	30min	60min	3h	5h	10h	20h
	664	422	339	205	118	49.2	33.0	18.6	10.4
	631	400	326	196	113	48.5	32.5	18.5	10.3
	593	377	309	187	108	47.5	31.8	18.5	10.2